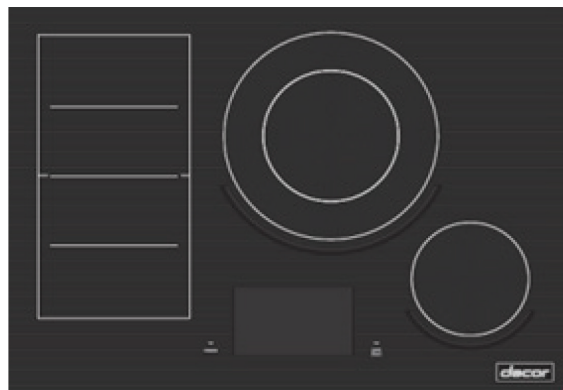




30-INCH INDUCTION COOKTOP

DTI30M977BB | MODERNIST COLLECTION



FEATURES & BENEFITS

- Flex Zone™ - a large open area offers greater flexibility for cooking multiple dishes at one time. Easily accommodates various cookware sizes.
- Virtual Flame™ - a beautiful and intuitive LED light displays virtual flames to provide an attractive visual cue that the heat is on.
- Up to 6 cooking zones with Flex Zone™.
- LCD Control Panel allows easy access to cooktop functions, including pre-programmed recipes.
- Smart Connectivity - auto connects to hood.
- Child safety lock.
- Residual heat reminder.
- Dacor iQ Kitchen app enables monitoring of the cooktop from outside the kitchen.

GENERAL PROPERTIES

CONTROLS | 7" LCD CONTROL PANEL WITH GUIDED COOKING

FEATURES

RESIDUAL HEAT INDICATOR	2 STAGE
CHILD LOCK	YES
KITCHEN TIMER	YES
GUIDED COOKING	YES - 15 EA
RECOMMENDED POWER LEVEL	YES
PAUSE	YES
POWER LEVEL SETTING	9 + POWER BOOST
QUICK STOP	YES
SIMMER/MELT	YES
POWER ON/OFF	YES

ADDITIONAL FEATURES

AUTO PAN DETECTION	YES
SOUND ON/OFF	YES
DEMO MODE	YES
BLUETOOTH CONNECT	YES
WI FI CONNECT	YES
HOOD CONNECTIVITY ON/OFF	YES
VIRTUAL FLAME ON/OFF	YES

ELEMENT PERFORMANCE

TOTAL NUMBER OF COOKTOP ZONES	6
FLEX ZONE LEFT FRONT (W)	1800W / 2600W (B)
FLEX ZONE LEFT REAR (W)	1800W / 2600W (B)
POWER COIL CENTER (W)	3600W / 4800W (B)
FLEX ZONE RIGHT REAR (W)	1400W / 1800W (B)
ZONES WITH BOOSTER	5

ELEMENT SIZE

FLEX ZONE LEFT	7 19/20"W X 15 6/25"D
FLEX ZONE RIGHT	7 19/20"W X 15 6/25"D
CENTER HEATING ELEMENT	7"/11" POWER COIL™ (VF)
RIGHT REAR HEATING ELEMENT	6" POWER COIL™ (VF)

TECHNICAL DETAILS

FLEX ZONE POWER	3300W / 3600W (B)
WATTS (W)	10.8 KW / 9.5 KW
VOLTS (V)	240 / 208
CIRCUIT BREAKER (A)	40
FREQUENCY (HZ)	60
ENERGY SOURCE	ELECTRIC

DIMENSIONS & WEIGHT

APPLIANCE DIMENSIONS (H X W X D) (IN.)	4" X 30" X 21 1/4"
REQUIRED CUTOUT SIZE (H X W X D) (IN.)	3 3/4" X 28 3/8" X 19 1/2"
MINIMUM DISTANCE FROM COUNTER FRONT (IN.)	1 1/2"
MINIMUM DISTANCE FROM REAR WALL (IN.)	1 1/7"

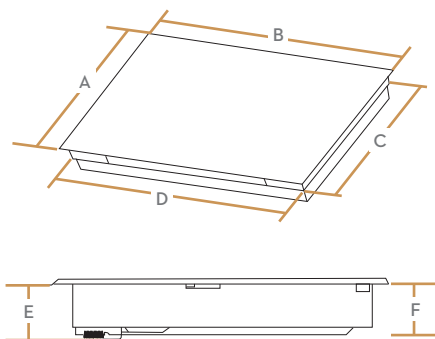
WARRANTY

LIMITED, PARTS AND LABOR	1 YEAR
--------------------------	--------

dacor

30-INCH INDUCTION COOKTOP

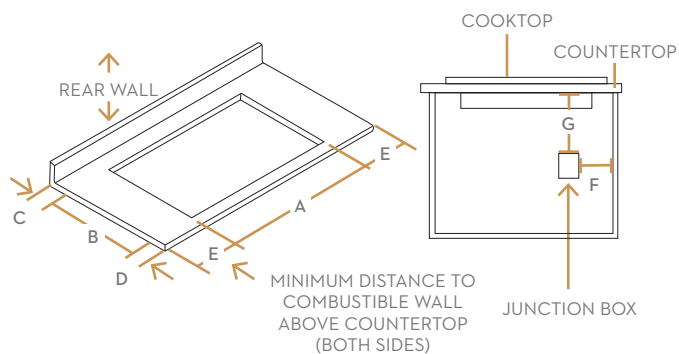
APPLIANCE DIMENSIONS



APPLIANCE DIMENSIONS

A	21 1/4" (540MM)	FRAME DEPTH
B	30" (762MM)	FRAME WIDTH
C	19 1/2" (494.6MM)	CASE DEPTH
D	28 3/8" (720MM)	CASE WIDTH
E	4" (101MM)	CONDUIT CASE HEIGHT
F	3 1/8" (80.5MM)	CASE HEIGHT

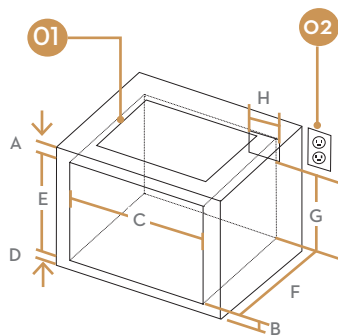
COUNTERTOP CUTOUT DIMENSIONS



COUNTERTOP CUTOUT DIMENSIONS

A	28 1/2" - 28 2/3" (724MM - 728MM)
B	19 4/7" - 19 2/3" (497.4MM - 499.4MM)
C	MIN. 1 1/7" (28MM). BETWEEN CUTOUT AND THE WALL BEHIND THE COOKTOP.
D	MIN. 1 1/2" (38MM). FROM FRONT EDGE OF CUTOUT AND FRONT EDGE OF COOKTOP.
E	MIN. 1" (26MM). DISTANCE NEAREST LEFT AND RIGHT SIDE COMBUSTIBLE SURFACE ABOVE COOKTOP.
F	JUNCTION BOX OR OUTLET 10" (254MM) MAXIMUM FROM RIGHT-HAND SIDE OF CABINET
G	JUNCTION BOX OR OUTLET 15" (381MM) MINIMUM FROM BOTTOM OF COUNTERTOP

WALL OVEN UNDERCOUNTER CUTOUT DIMENSIONS



UNDERCOUNTER CUTOUT DIMENSIONS

A	MIN. 3 3/4" (9.5CM)
B	4" (10.1CM)
C	MIN. 28 1/2" / MAX. 28 5/8" (MIN. 2.5CM / MAX. 3.2CM)
D	MIN. 1" / MAX. 1 1/4" (MIN. 2.5CM / MAX. 3.2CM)
E	MIN. 27 1/4" / MAX. 27 1/3" (MIN. 69.2CM / MAX. 69.5CM)
F	24" (61CM)
G	MIN. 22" (MIN. 55.9CM)
H	MAX. 9 1/2" (MAX. 24.1CM) - JUNCTION BOX