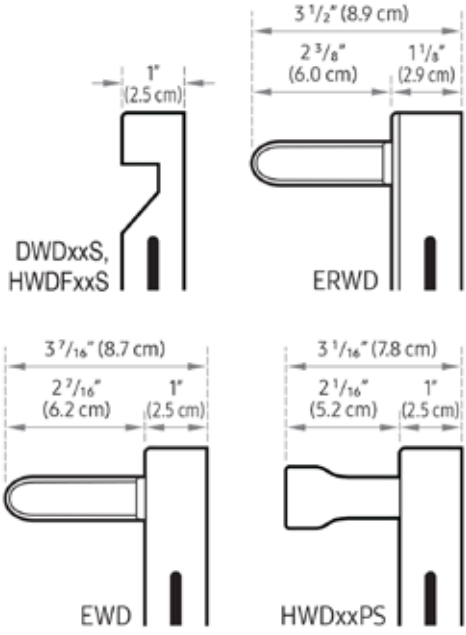




24", 27", 30", 36" Wide Heritage Warming Drawers

PLANNING GUIDE

Handle Dimensions (side)



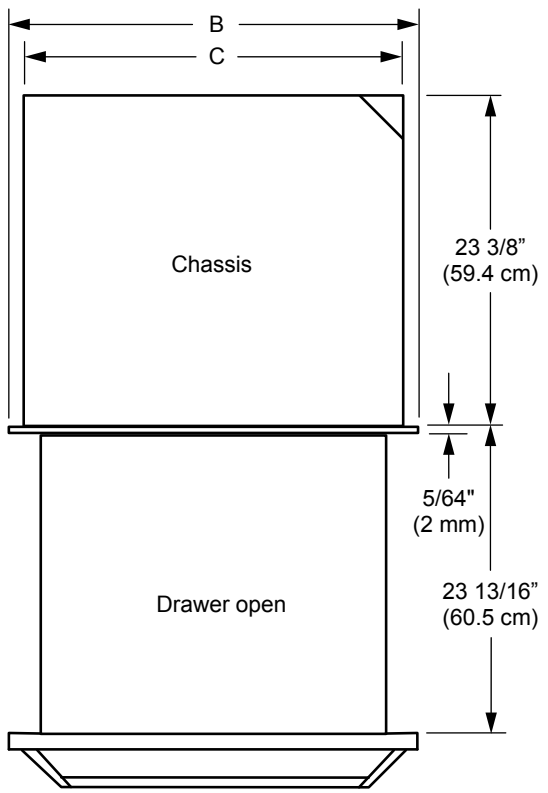
⚠ WARNING

- Observe all local ordinances during planning and installation. Contact your local building department for details.
- The drawer must be installed according to its installation instructions.

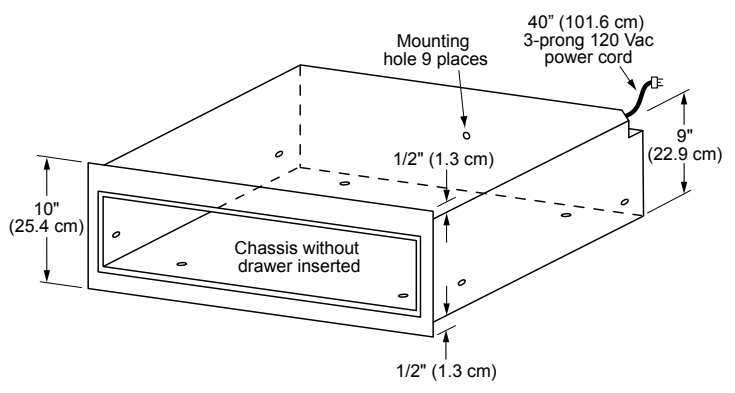
Electrical Circuit Required	Total Connected Load	Min. Ambient Operating Temp.
120 Vac, 60 Hz, 15 Amp. grounded, dedicated circuit	4.0 Amp. @ 120 Vac, 60 Hz.	32°F (0°C)

Drawer face heights are 10 1/8" (25.7 cm) x Width dimension (A); see **Warming Drawer Overall Dimensions** table (below) for "A" dimensions for all drawer models

Overall Dimensions (top view)



Chassis Dimensions



Warming Drawer Overall Dimensions* (see left)			
Model	(A) Drawer Face Width	(B) Chassis Face Width	(C) Chassis Width
EWD24 HWD24PS	24" (61.0 cm)	23 5/8" (60.0 cm)	22 1/4" (56.5 cm)
ERWD27 EWD27 HWD27PS	27" (68.6 cm)	26 5/8" (67.6 cm)	25 1/4" (64.1 cm)
DWD30 ERWD30 EWD30 HWD30PS HWDF30S	30" (76.2 cm)	29 5/8" (75.2 cm)	28 1/4" (71.8 cm)

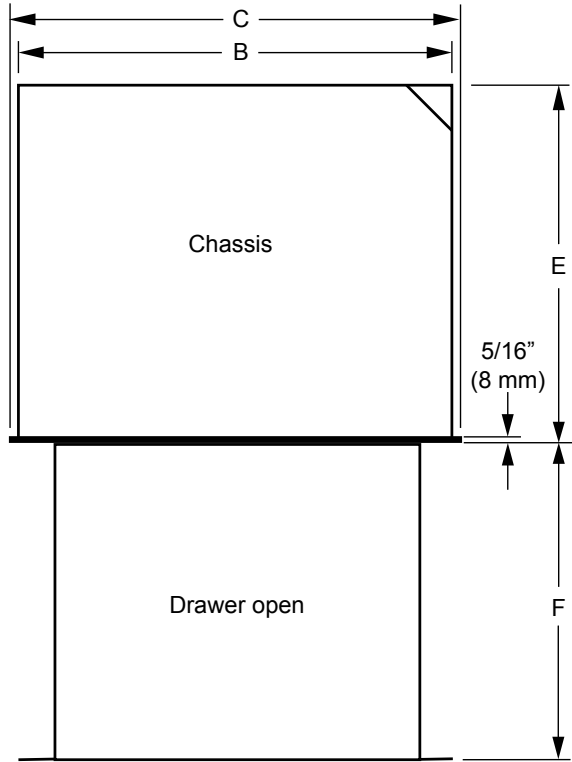
*See Pg. 2 for IWD & OWD series chassis dimensions



24", 27", 30", 36" Wide Heritage Warming Drawers

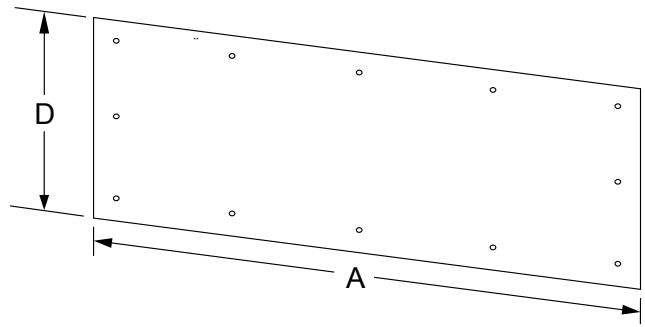
PLANNING GUIDE

Overall Dimensions—IWD/OWD (top view)

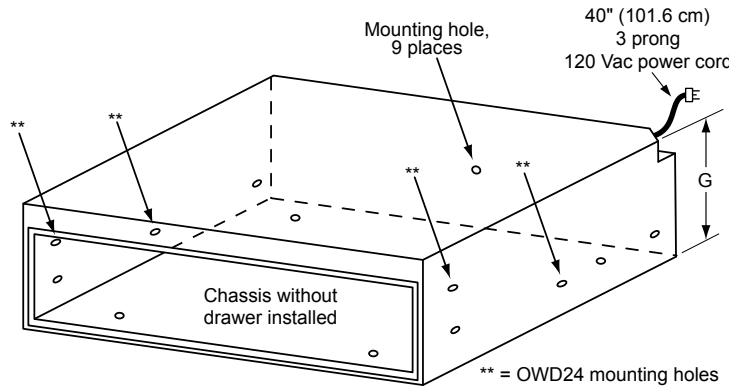


Electrical Circuit Required	Total Connected Load	Min. Ambient Operating Temp.
120 Vac, 60 Hz, 15 Amp. grounded, dedicated circuit	4.0 Amp. @ 120 Vac, 60 Hz.	32°F (0°C)

Drawer Face Dimensions—IWD/OWD



Chassis Dimensions—IWD/OWD



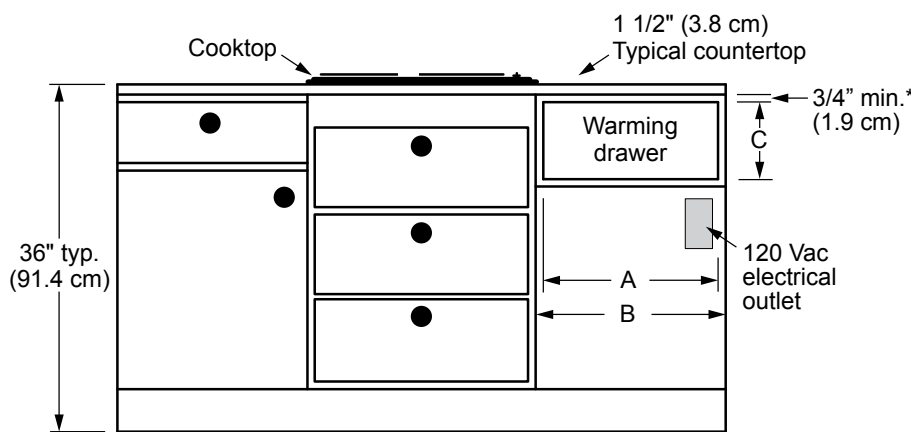
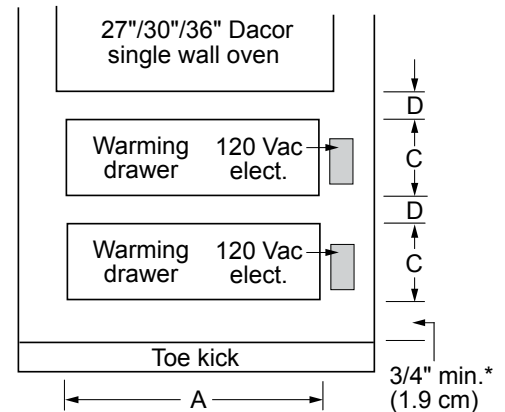
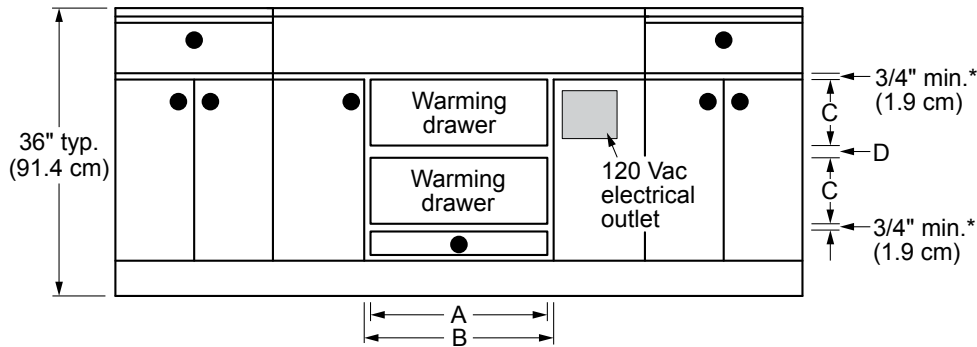
Warming Drawer Overall Dimensions—IWD/OWD (see above graphics)

Model	A (Drawer Face Width)	B (Chassis Width)	C (Chassis Face Width)	D (Drawer Face Height)	E (Chassis Depth)	F (Drawer Depth)	G (Chassis Height)
IWD24	22 ⁵ / ₁₆ " (56.7 cm)	22 ¹ / ₄ " (56.5 cm)	22 ³ / ₈ " (56.8 cm)	8 ¹⁵ / ₁₆ " (22.7 cm)	23 ³ / ₈ " (59.4 cm)	23 ¹³ / ₁₆ " (60.5 cm)	9 ¹ / ₁₆ " (23.0 cm)
IWD27	25 ⁵ / ₁₆ " (64.3 cm)	25 ¹ / ₄ " (64.1 cm)	25 ³ / ₈ " (64.5 cm)				
IWD30	28 ⁵ / ₁₆ " (71.9 cm)	28 ¹ / ₄ " (71.8 cm)	28 ³ / ₈ " (72.1 cm)				
OWD24	22 ¹ / ₂ " (57.1 cm)	22 ¹ / ₂ " (57.1 cm)	22 ¹ / ₂ " (57.1 cm)	11 ⁷ / ₈ " (30.2 cm)	20" (50.8 cm)	18" (45.7 cm)	11 ⁷ / ₈ " (30.2 cm)



24", 27", 30", 36" Wide Heritage Warming Drawers

PLANNING GUIDE



Model	(A) Cutout Width	(B) Min. Width to Adjacent Doors/Drawers	(C) Cutout Height	(D) Min. Vertical Gap Between Cutouts	Min. Cutout Depth
DWD30	28 1/2" (72.4 cm)	30 1/4" (76.8 cm)*	9 1/8" (23.2 cm)	1 1/4" (3.2 cm)*	24" (61.0 cm)
EWD24	22 1/2" (57.2 cm)	24 1/4" (61.6 cm)*			
EWD27	25 1/2" (64.8 cm)	27 1/4" (69.2 cm)*			
EWD30	28 1/2" (72.4 cm)	30 1/4" (76.8 cm)*			
ERWD27	25 1/2" (64.8 cm)	27 1/4" (69.2 cm)*			
ERWD30	28 1/2" (72.4 cm)	30 1/4" (76.8 cm)*			
HWD24PS	22 1/2" (57.2 cm)	24 1/4" (61.6 cm)*			
HWD27PS	25 1/2" (64.8 cm)	27 1/4" (69.2 cm)*			
HWD30PS	28 1/2" (72.4 cm)	30 1/4" (76.8 cm)*			
HWDF30S	28 1/2" (72.4 cm)	30 1/4" (76.8 cm)*			
IWD24	22 1/2" (57.2 cm)	**	9 1/8" (23.2 cm)	1 1/16" (2.7 cm)	20 1/8" (51.1 cm)
IWD27	25 1/2" (64.8 cm)	**			
IWD30	28 1/2" (72.4 cm)	**			
OWD24****	22 5/8" (57.5 cm)	24 1/4" (61.6 cm)***	11 15/16" (30.3 cm)	NA	20 1/8" (51.1 cm)

*Minimum spacing for ventilation and to avoid scraping on DWD, ERW, EWD models; **IWD models or OWD24 without optional front-panel kit: Chassis and drawer faceplate are smaller than cutout; custom front panel mounts to drawer faceplate; height and width of custom front panel must exceed cutout dimensions (A, C above) to cover hole; allow 1/4" minimum added space on top, bottom, and sides from the custom front panel edge to avoid scraping adjacent doors, drawers, and countertop; ***OWD24 with optional factory front-panel kit only; minimum spacing shown to avoid scraping; gap above and below cutout is 3/4" min. (See ** above for OWD24 with custom front panel); ****OWD24 cannot be installed above/below/adjacent to any model wall oven or warming drawer.