



48-INCH GAS RANGE

HGPR48 | PROFESSIONAL STYLE



AVAILABLE MODELS

HGPR48S/NG/H	48" Professional Gas Range - Stainless Steel Natural Gas High Altitude
HGPR48S/NG	48" Professional Gas Range - Stainless Steel Natural Gas
HGPR48S/LP/H	48" Professional Gas Range - Stainless Steel Liquid Propane High Altitude
HGPR48S/LP	48" Professional Gas Range - Stainless Steel Liquid Propane
HGPR48C/NG/H	48" Professional Gas Range - Color Match Natural Gas High Altitude
HGPR48C/NG	48" Professional Gas Range - Color Match Natural Gas
HGPR48C/LP/H	48" Professional Gas Range - Color Match Liquid Propane High Altitude
HGPR48C/LP	48" Professional Gas Range - Color Match Liquid

FEATURES & BENEFITS

- Three-Part Convection System – air baffle, fan and removable convection filter to precisely distribute heat for superior cooking results.
- Large oven capacity - 5.2 cu. ft. / 2.8 cu. ft.
- 6 Dual-Stack Sealed Burners.
- Powerful 18K BTU and true simmer burners.
- Illumina™ Knobs - White LED.
- Continuous Grate Platform.
- All Brass Valves, Heads and Caps.
- Self-cleaning ovens.
- Downdraft compatible.

ADDITIONAL FEATURES

CLEANING TYPE	SELF-CLEAN (BOTH)
TYPE OF GRATE	CONTINUOUS CAST IRON
CAVITY	BLACK ENAMEL COATING
OVEN RACK POSITIONS	6 (LG) / 6 (SM)
LIGHTING	LED & HALOGEN

DIMENSIONS & WEIGHT

APPLIANCE DIMENSIONS (W X H X D) (IN.)	47 7/8" X 36 3/16" - 37 1/2" X 26 7/8"
REQUIRED CUTOUT SIZE (W X D) (IN.)	48" X 24"

WARRANTY

LIMITED, PARTS AND LABOR	1 YEAR
--------------------------	--------

ACCESSORIES (INCLUDED)

GLIDERACK™	2 (LG) & 2 (SM)
STANDARD RACK	1 (LG) / 1 (SM)
WOK RING	1
REMOVABLE CONVECTION FILTER	1/EA OVEN
BRASS/BLACK PORCELAIN BURNER CAPS	6/EA
REMOVABLE NON-STICK GRIDDLE	1

ACCESSORIES (OPTIONAL)

COOKIE SHEETS (SET OF 3)	ACS303
14" GRIDDLE	ADRT14
GLIDERACK (LG OVEN)	APGO36
GLIDERACK (SM OVEN)	APGO18
EPICURE HANDLE SET, 48" RANGE	AHHESR48
STAINLESS STEEL BACKGUARD 6"	AHB48G6
STAINLESS STEEL BACKGUARD 9"	AHB48G9

GENERAL PROPERTIES

OVEN CAPACITY (CUBIC FEET)	5.2 (LG OVEN) / 2.8 (SM OVEN)
COOKING MODES	CONVECTION BAKE; BAKE CONVECTION BROIL; BROIL

OVEN PERFORMANCE

HIDDEN STAINLESS STEEL BAKE BURNER	24,000 BTU (LG) 15,000 BTU (SM)
INFRARED CERAMIC BROIL GAS BURNER	18,000 BTU (LG) 13,000 BTU (SM)

BURNER PERFORMANCE

TOTAL NUMBER OF COOKTOP BURNERS	6 DUAL STACK BRASS BURNERS
LEFT FRONT (BTU)	18,000 DUAL (SIMMER/SEAR)
LEFT REAR (BTU)	15,000 STACK DUAL (SIMMER)
CENTER FRONT (BTU)	15,000 STACK DUAL (SIMMER)
CENTER REAR (BTU)	15,000 STACK DUAL (SIMMER)
RIGHT FRONT (BTU)	18,000 STACK DUAL (SIMMER/SEAR)
RIGHT REAR (BTU)	15,000 STACK DUAL (SIMMER)
SEALED BURNERS	YES
PERMA-FLAME™ (AUTO RE-IGNITION)	YES

ADDITIONAL MODES

KEEP WARM	YES (BOTH)
-----------	------------

CONTROL FEATURES

LED (WHITE)	YES
NUMBER OF KNOBS	7 KNOBS
OVEN CONTROL METHOD	KNOBS
ILLUMINA™ BURNER KNOBS	YES
HIGHLIGHTING COLOR	WHITE
TEMPERATURE (F/C)	YES

TECHNICAL DETAILS

CIRCUIT BREAKER (A)	15 AMPS
VOLTS (V)	120 VAC
FREQUENCY (HZ)	60 HZ
ENERGY SOURCE	GAS AND ELECTRICAL
PLUG TYPE	GROUNDING, DEDICATED, 3-PRONG ELECTRICAL OUTLET
GAS TYPES	NATURAL GAS, NATURAL GAS (HIGH ALTITUDE), LIQUID PROPANE (HIGH ALTITUDE)

dacor 48-INCH GAS RANGE

APPLIANCE DIMENSIONS

36"

A (WIDTH)	47 7/8" (121.6CM)
B (DEPTH)	26 7/8" (68.3CM)
C (HEIGHT)	36 3/16" TO 37 1/2" (91.9-95.3CM)

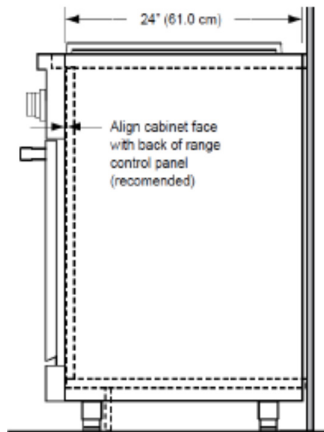
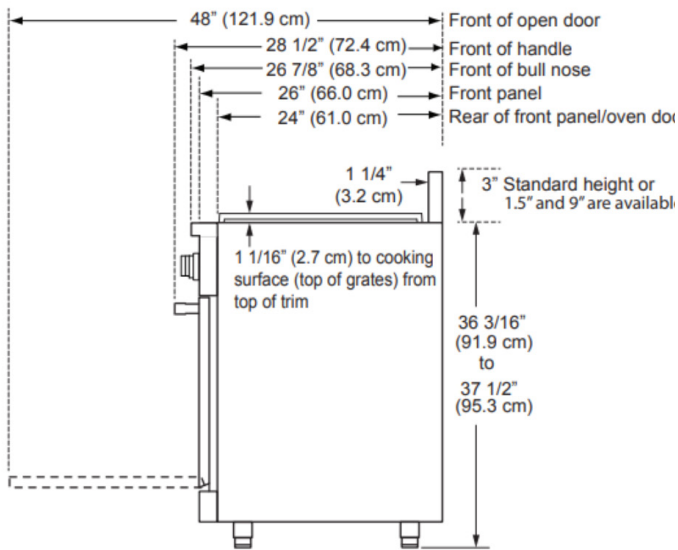
Product tolerances: $\pm 1/16"$ ($\pm 1.6\text{MM}$)

CABINET CUT-OUT DIMENSIONS

RANGE MODEL	F	G
HGPR48	54" (137.2 CM)* 48" (121.9 CM)**	48" (121.9 CM)**

* Recommended
** Minimum

Cutout tolerances: $\pm 1/16"$ ($\pm 1.6\text{ mm}$), -0 unless otherwise stated



View of Range Installed
(Side View)

