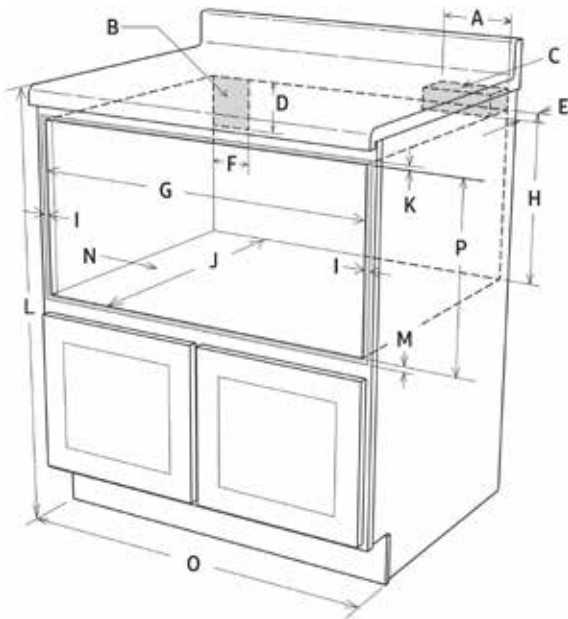




Heritage 24", 30" Wide Microwave In A Drawer

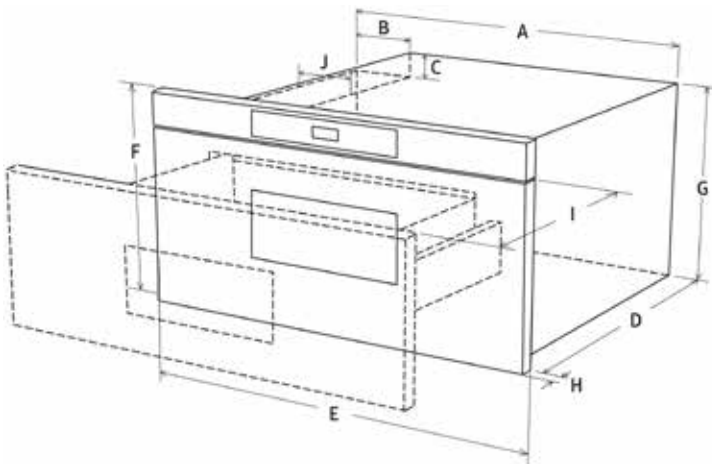
PLANNING GUIDE

RMND24 Cutout Dimensions



- A. 6"
- B. Power outlet location
- C. Anti-tip block
- D. 5"
- E. 3 1/2"
- F. 4"
- G. 22 1/8" opening
- H. 14 13/16" to bottom of anti-tip block
- I. Allow 7/8" minimum overlap
- J. 23 1/2" minimum depth
- K. Allow 3/16" minimum overlap
- L. 36" nominal countertop height
- M. Allow 1/8" minimum overlap
- N. Floor must support 100 lbs minimum
- O. 24" cabinet minimum
- P. 15 9/16" opening

NOTE: Open-top cabinet shown



- A. 21 5/8"
- B. 4 11/16"
- C. 1 3/4"
- D. 21 7/8"
- E. 23 7/8"
- F. 15 7/8"
- G. 14 19/32"
- H. 1 9/64" door thickness
- I. 15" auto drawer opening
- J. 4"

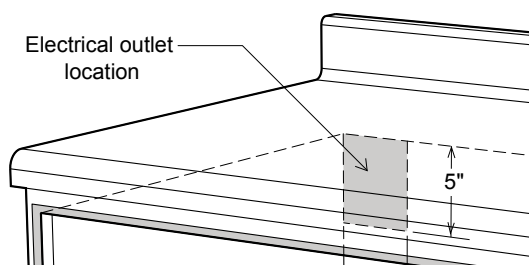
⚠ WARNING

- Observe all local ordinances during planning and installation. Contact your local building department for details.
- This unit must be installed according to its installation instructions.

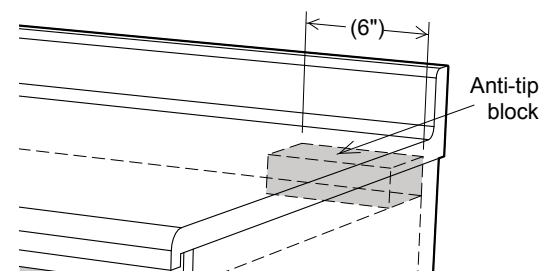
NOTE: Spacing between appliances and doors/drawers is minimum required to allow for ventilation and to prevent scraping. More space may be needed for appearance.

Electrical Specifications	
Dedicated Circuit Required	Total Connected Load
120 Vac, 60 Hz, 15 Amp. 3-wire grounded, electrical outlet	13 Amp. @ 120 Vac, 60 Hz.

Utility Location



Anti-tip Block Location



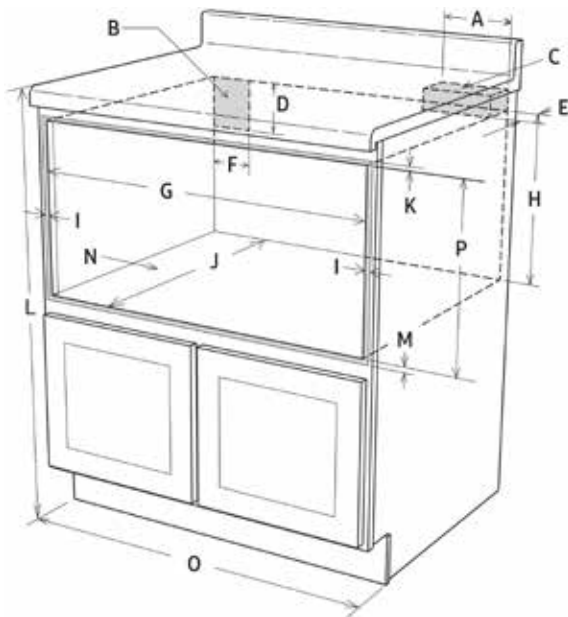


Heritage 24", 30" Wide Microwave In A Drawer

PLANNING GUIDE

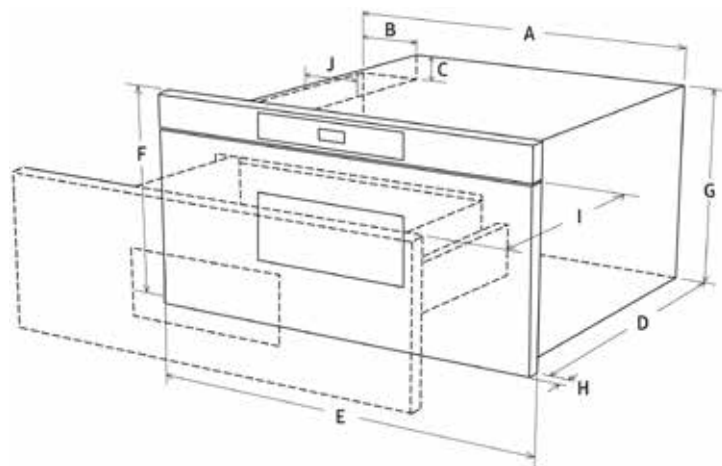
RMND30 Cutout Dimensions

NOTE: Spacing between appliances and doors/drawers is minimum required to allow for ventilation and to prevent scraping. More space may be needed for appearance.



- A. 6"
- B. Power outlet location
- C. Anti-tip block
- D. 5"
- E. 3 1/2"
- F. 4"
- G. 28 7/16" opening
- H. 14 13/16" to bottom of anti-tip block
- I. Allow 23/32" minimum overlap
- J. 23 1/2" minimum depth
- K. Allow 3/16" minimum overlap
- L. 36" nominal countertop height
- M. Allow 1/8" minimum overlap
- N. Floor must support 100 lbs minimum
- O. 30" cabinet minimum
- P. 15 9/16" opening

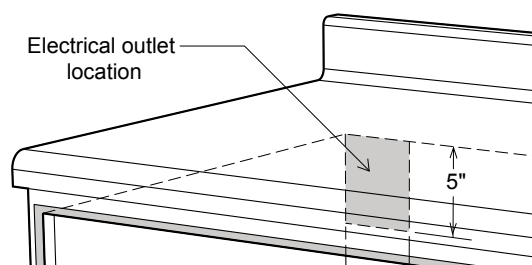
NOTE: Open-top cabinet shown



- A. 21 5/8"
- B. 4 11/16"
- C. 1 3/4"
- D. 21 7/8"
- E. 30"
- F. 15 7/8"
- G. 14 19/32"
- H. 1 9/64" door thickness
- I. 15 1/4" auto drawer opening
- J. 4"

Electrical Specifications	
Dedicated Circuit Required	Total Connected Load
120 Vac, 60 Hz, 15 Amp. 3-wire grounded, electrical outlet	13 Amp. @ 120 Vac, 60 Hz.

Utility Location



Anti-tip Block Location

