



36-INCH INDUCTION PRO RANGE

HIPR36S | HERITAGE COLLECTION



AVAILABLE MODELS

HIPR36S	36" Heritage Induction Pro Range - Stainless Steel
HIPR36S-C	36" Heritage Induction Pro Range - Stainless Steel
HIPR36C	Canada 36" Heritage Induction Pro Range - Color Match
HIPR36C-C	36" Heritage Induction Pro Range - Color Match Canada

FEATURES & BENEFITS

- Exclusive Four-Part Pure Convection - heating element, air baffle, fan and filter to precisely distribute heat for superior cooking results.
- Large oven capacity - 5.2 cu. ft.
- 5 Powerful Induction Coils with BOOST
- Bridge Element for Griddle and Long Cookware
- Smooth Capacitive Glass Touch Control Cook Top
- LED Tilt-View™ Glass Touch Control for Oven
- Soft Close Oven Door
- Pro Style Bullnose, Handle

ADDITIONAL FEATURES

CLEANING TYPE	SELF CLEAN GREENCLEAN™
TYPE OF SURFACE	SMOOTH CERAMIC
CAVITY	BLACK ENAMEL COATING
RACK POSITIONS	6
LIGHTING	HALOGEN

GENERAL PROPERTIES

OVEN CAPACITY (CUBIC FEET)	5.2 CU FT.
COOKING MODES	PURE CONVECTION™ CONVECTION BAKE CONVECTION BROIL CONVECTION ROAST BAKE BROIL

OVEN PERFORMANCE

BAKE ELEMENT	3,000W - 8 PASS
BROIL ELEMENT	3,500W - 8 PASS
CONVECTION ELEMENT	2,300W - 2 PASS

INDUCTION PERFORMANCE

TOTAL NUMBER OF INDUCTION COILS	5 COILS + 1 BRIDGE ELEMENT
LEFT FRONT (WATTS)	8" ROUND 1850W (3000W BOOST)
LEFT REAR (WATTS)	8" ROUND 1850W (3000W BOOST)
RIGHT FRONT (WATTS)	9" ROUND 2300W (3700W BOOST)
RIGHT REAR (WATTS)	7" ROUND 1400W (2200W BOOST)
CENTER (WATTS)	11" ROUND 2300W (3700W BOOST)
BOOST MODE	YES

ADDITIONAL MODES

KEEP WARM	N/A
PROOF	N/A
TEMPERATURE PROBE	YES
DEHYDRATE	N/A
SABBATH	YES, OVEN ONLY

CONTROL FEATURES

LED (WHITE)	YES, TILT-VUE TOUCH
NUMBER OF KNOBS	N/A
CONTROL METHOD	LED GLASS TOUCH CONTROL
ILLUMINA™ BURNER KNOBS	N/A
HIGHLIGHTING COLOR	N/A
CLOCK	YES
DELAY START	YES
KITCHEN TIMER	YES, 2
TIME OF DAY (12 HR/24 HR)	YES
TEMPERATURE (F/C)	YES
CHILD LOCK	YES
SOUND ON/OFF	YES

TECHNICAL DETAILS

CIRCUIT BREAKER (A)	50 AMP
VOLTS (V)	240 V
FREQUENCY (HZ)	60 HZ
ENERGY SOURCE	ELECTRICAL
GAS TYPES	N/A

DIMENSIONS & WEIGHT

APPLIANCE DIMENSIONS (W X H X D) (IN.)	35 7/8" X 36 1/4" - 37 1/2" X 27"
REQUIRED CUTOUT SIZE (W X D) (IN.)	36" minimum X 24"

WARRANTY

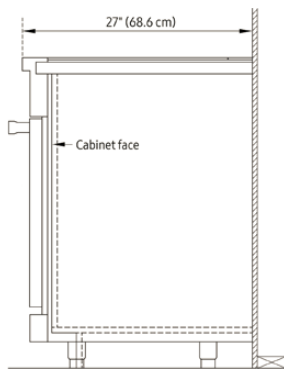
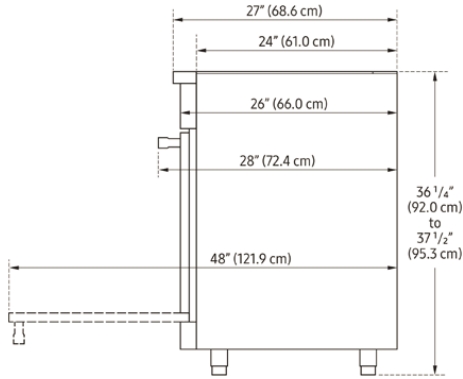
LIMITED, PARTS AND LABOR	1 YEAR
--------------------------	--------

APPLIANCE DIMENSIONS

36"

A (WIDTH)	35 7/8" (121.6CM)
B (DEPTH)	27" (68.6CM)
C (HEIGHT)	36 1/4 TO 37 1/2 (92.0 TO 95.3CM)

Product tolerances: +/- 1/16" (+/- 1.6MM)

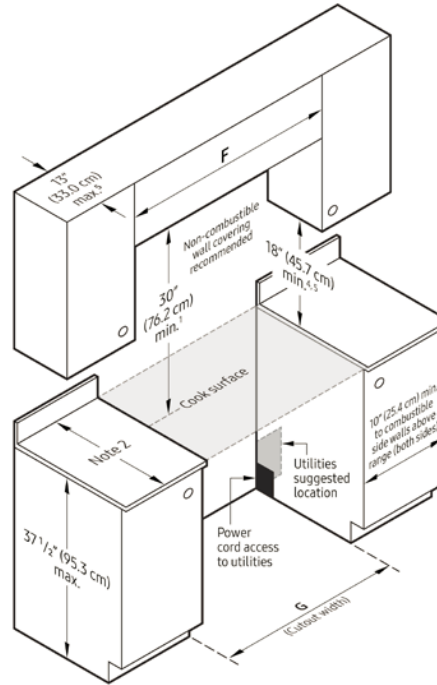


CABINET CUT-OUT DIMENSIONS

RANGE MODEL	F	G
HIPR36S	42" (106.7 CM)* 36" (91.4 CM)**	36" (91.4 CM)**

* Recommended
** Minimum

Cutout tolerances: +1/16" (+1.6 mm), -0 unless otherwise stated



ACCESSORIES (INCLUDED)

GLIDERACK™	2
STANDARD RACK	1
TEMPERATURE PROBE	1
CONVECTION FILTER	1

ACCESSORIES (OPTIONAL)

COOKIE SHEETS (SET OF 3)	ACSRO303
BAKING STONE	ABS16
BROIL/ROASTING PAN W/GRILL & V RACK	AORPVR