



24-INCH MICROWAVE-IN-A-DRAWER

RNMD24



AVAILABLE MODELS

RNMD24S 24" Heritage Microwave-in-a Drawer – Stainless Steel, Professional Style Badge

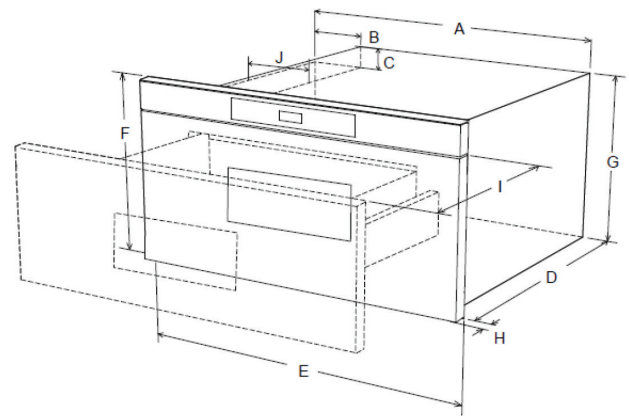
GENERAL PROPERTIES

FINISH	STAINLESS STEEL
INTERIOR CAPACITY:	1.2 CU. FT.

ACCESSORIES

FLUSH INSTALLATION KIT	ARNMDF24
------------------------	----------

PRODUCT DIMENSIONS



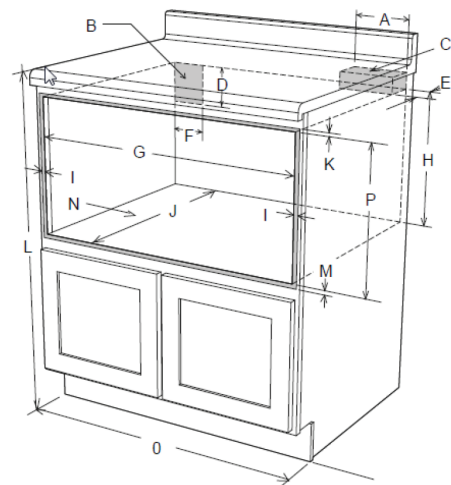
- A. 21 5/8"
- B. 4 11/16"
- C. 1 3/4"
- D. 21 7/8"
- E. 23 7/8"
- F. 15 7/8"
- G. 14 19/32"
- H. 1 9/64" door thickness
- I. 15" auto drawer opening
- J. 4"

FEATURES & BENEFITS

- Drawer Configuration for under the counter installations.
- Automatic Drawer Opening for easy loading and unloading.
- Beverage Center enables you to restore coffee or tea to a suitable drinking temperature or to make instant coffee or tea.
- Sensor Cooking in three easy steps prepares your selected food choice.
- Multiple Sequence Cooking programs up to 4 automatic cooking sequences, switching from one power level setting to another automatically.
- Keep Warm keeps food warm up to 30 minutes.
- Easy Minute allows you to cook for a minute at 100% by simply touching the Easy Minute key.
- Automatic Start lets you program the microwave to begin cooking automatically at a designated time of day.
- Control Lock prevents unwanted operation, such as by small children, and can be set so that the control panel is deactivated or locked.
- 950 Watts

STANDARD INSTALL

Please see installation instructions for flush installation cutout dimensions.



- A. 6"
- B. Electrical outlet location
- C. Anti-tip block
- D. 5"
- E. 3 1/2"
- F. 4"
- G. 22 1/8" opening
- H. 14 13/16" to bottom of anti-tip block
- I. Allow 7/8" minimum overlap
- J. 23 1/2" minimum depth
- K. Allow 3/16" minimum overlap
- L. 36" nominal countertop height
- M. Allow 1/8" minimum overlap
- N. Floor must support 100 lbs.
- O. *24" cabinet minimum
- P. 15 9/16" opening
- NOTE:** Open Top Cabinet illustrated

*All tolerances: +/- 1/16" (+/-1.6MM) unless otherwise stated.