

OB36, OB52, OBS36, OBS52



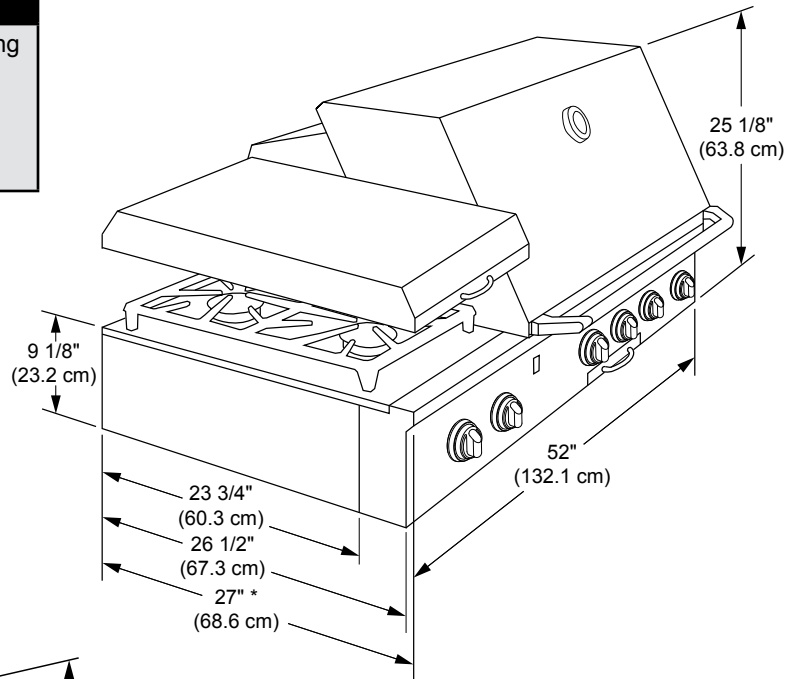
Discovery™ 36", 52" Wide Outdoor Grills

PLANNING GUIDE

WARNING

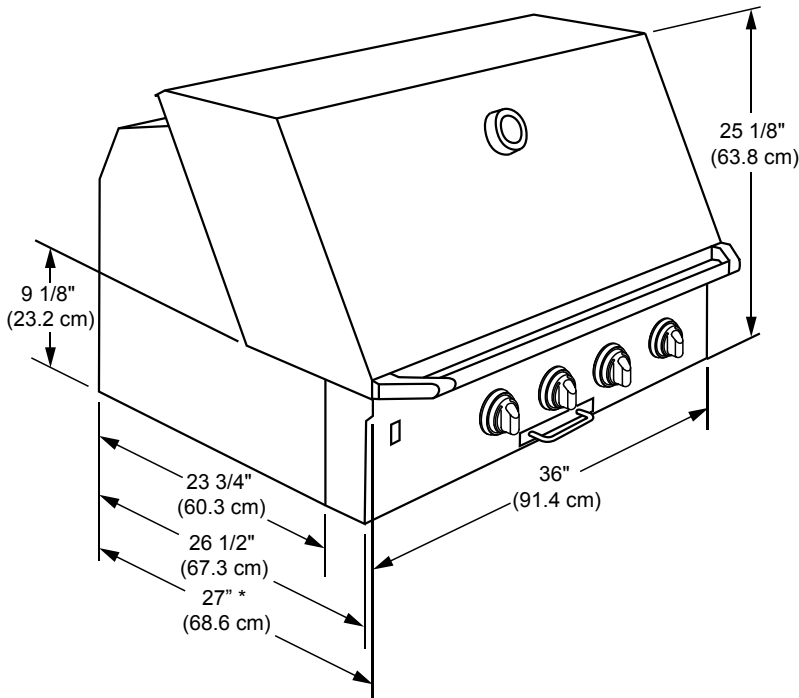
- Observe all governing codes and ordinances during planning and installation. Contact your local building department for further information.
- This appliance must be installed in accordance with the accompanying installation instructions.

All tolerances: +1/16" (+1.6 mm), -0, unless otherwise stated



OB[S]52 OVERALL DIMENSIONS

*Total depth with handle: 30" (76.2 cm)



OB[S]36 OVERALL DIMENSIONS



Model Type	Electrical Circuit Required	Total Connected Load	Gas Type	Manifold Pressure	Minimum Gas Supply Pressure
Natural Gas	120 Vac, 60 Hz, 15 Amp.	2.9 Amps (0.35 kW)	Natural	4" Water column	5" Water column
LP Gas	120 Vac, 60 Hz, 15 Amp.	2.9 Amps (0.35 kW)	Propane	11" Water column	12" Water column



NOTE:

Supply access for the rotisserie power or an alternate 120 Vac duplex outlet location.

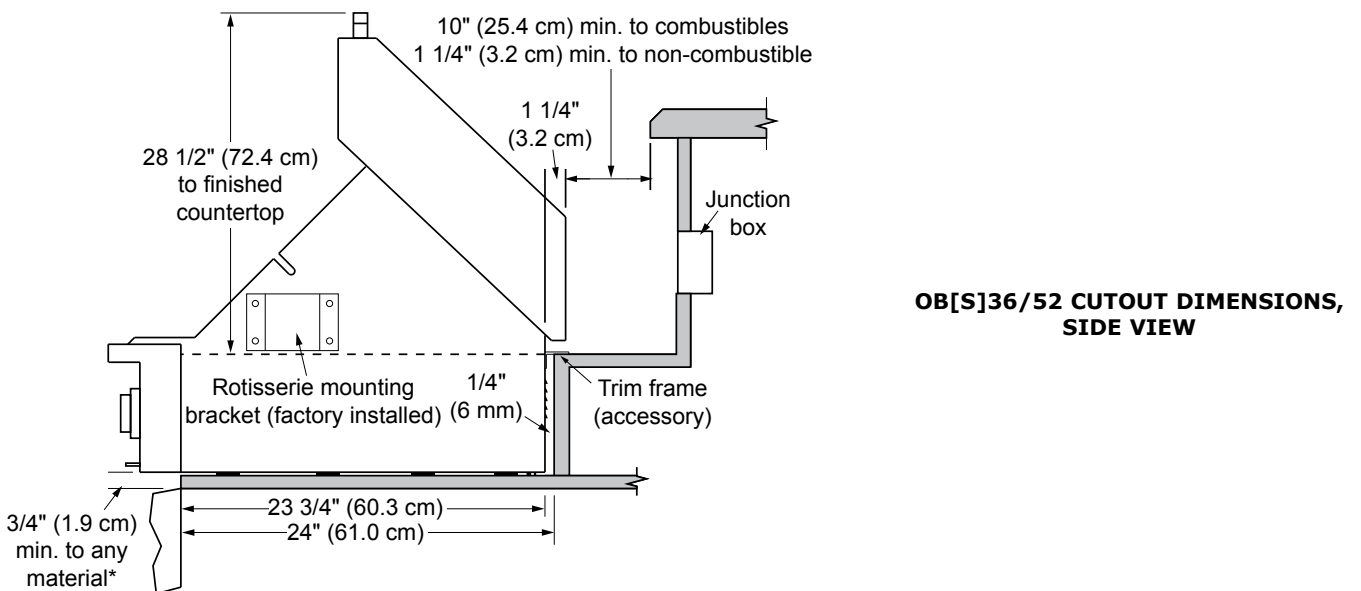
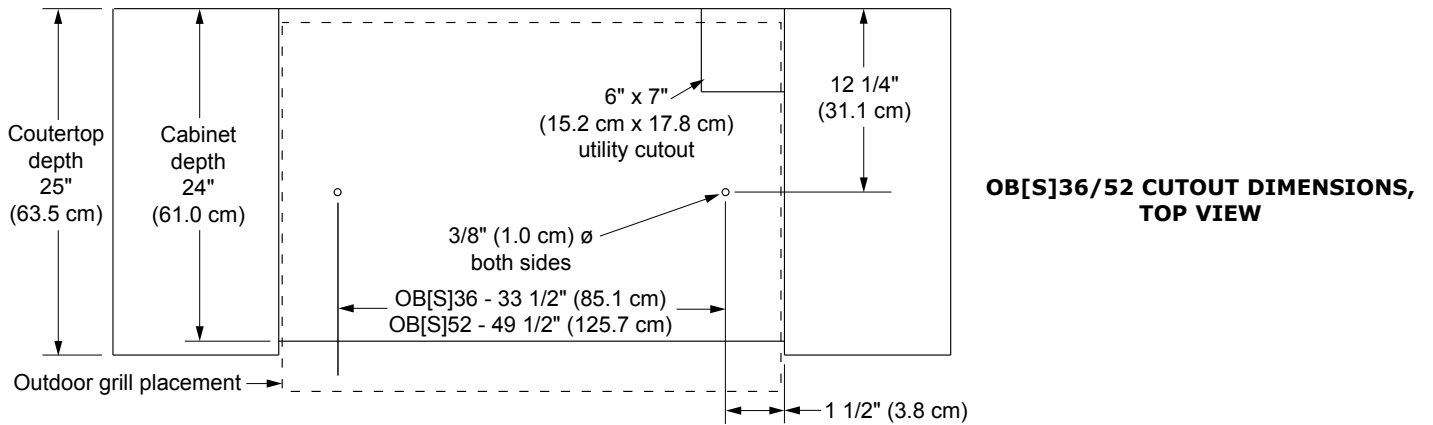
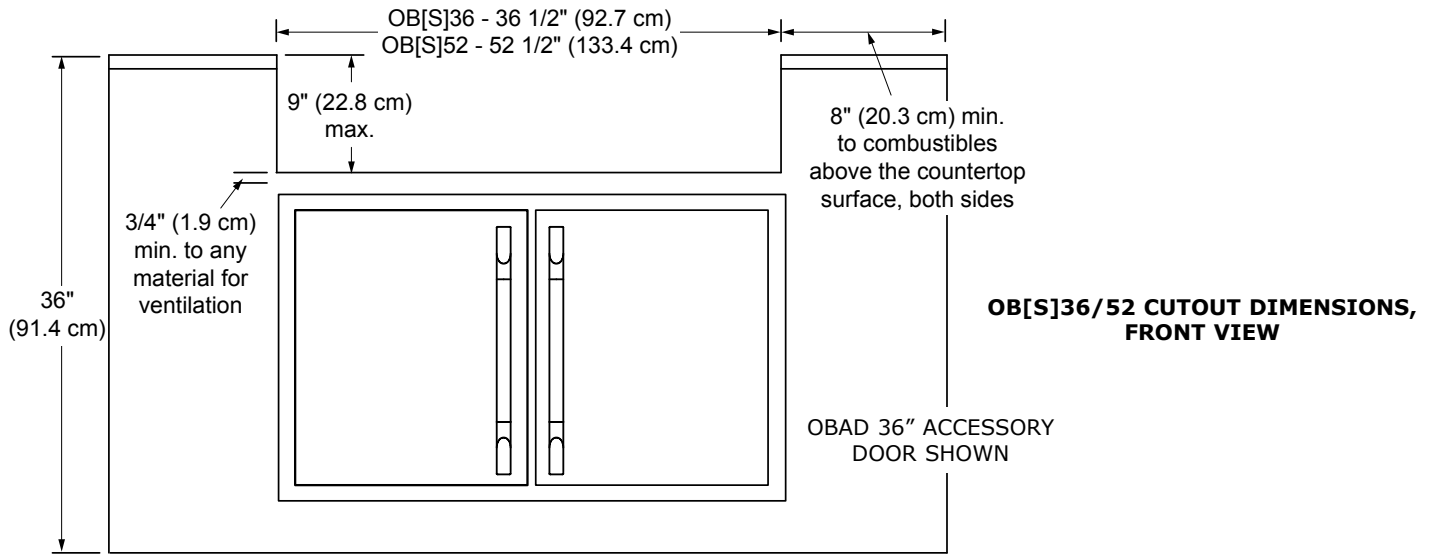
OB36, OB52, OBS36, OBS52



Discovery™ 36", 52" Wide Outdoor Grills

PLANNING GUIDE

All tolerances: +1/16" (+1.6 mm), -0, unless otherwise stated



OB36, OB52, OBS36, OBS52

Document # PG13-001

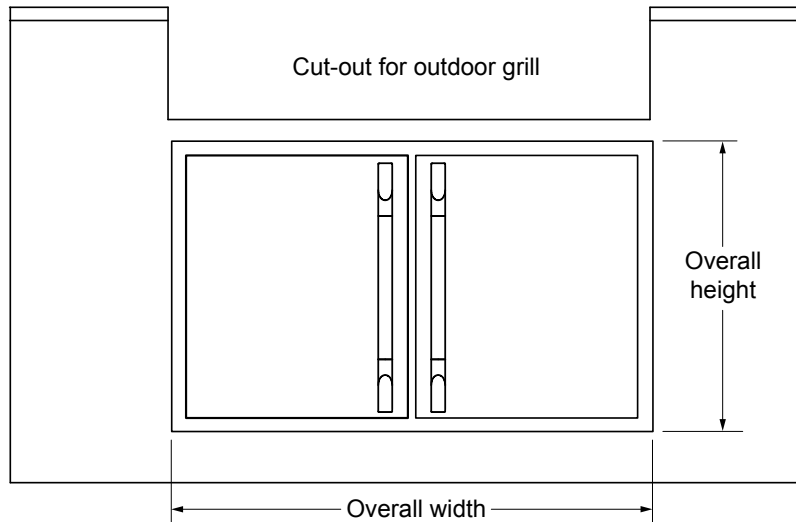
Revised 10/02/11 Page 3/3



Discovery™ 36", 52" Wide Outdoor Grills

PLANNING GUIDE

All tolerances: +1/16" (+1.6 mm), -0, unless otherwise stated



OBADXX ACCESSORY DOOR DIMENSIONS, FRONT VIEW
(OBAD36 SHOWN)

Specifications	Measurements
Overall Width	OBAD20 - 19 1/2" (49.5 cm) OBAD36 - 35 7/8" (91.1 cm)
Overall Height	21" (53.3 cm)
Overall Depth	1/4" (6 mm) deep return on frame edge
Cutout Width	OBAD20 - 16 3/4" (42.5 cm) OBAD36 - 33 1/8" (84.1 cm)
Cutout Height	18 3/4" (47.6 cm)
Cutout Depth	3" (7.6 cm) minimum
Number of doors	OBAD20 - 1 OBAD36 - 2

ACCESSORY DOOR CUTOUT DIMENSIONS