



Installation Instructions

Modernist® Island (Ceiling Mount) Range Hood

DHD36M967IM, DHD36M967IS, DHD48M977IM, DHD48M977IS

Approved for use with all Dacor® ranges and cooktops.

TABLE OF CONTENTS

| | | | |
|--|----------|--|----------|
| Important Safety Instructions | 1 | Installation Instructions | 4 |
| Important Information | 1 | Verifying Package Contents..... | 4 |
| General Safety Precautions..... | 1 | Installing the Hood | 4 |
| Installation Specifications | 2 | Verifying Function..... | 6 |
| Performance Specifications | 2 | Installation Checklist..... | 6 |
| Electrical Specifications..... | 2 | Wiring Diagram | 7 |
| Product Dimensions..... | 2 | | |
| Planning the Location | 3 | | |
| Planning the Ducting..... | 3 | | |

BEFORE YOU BEGIN

Installer

- For safety and to minimize problems, read this manual thoroughly before installing the hood.
- Leave this manual with the owner.

Owner

Keep this manual for personal and professional reference.

NOTE: Dacor® is not responsible for service needed to correct a faulty installation.

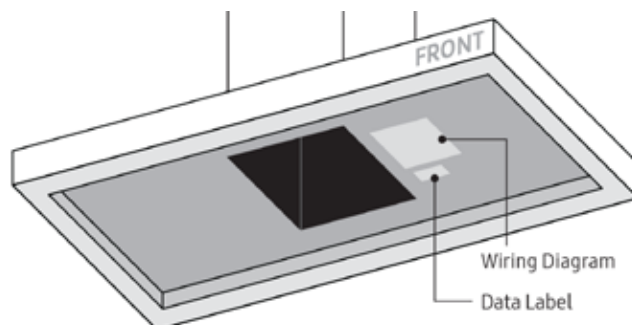
CUSTOMER ASSURANCE INFORMATION

If you have questions or installation/repair/warranty issues, contact Dacor Customer Assurance. Have available the hood model and serial numbers, which are on the hood data label (underside of chassis, above the filters; see the graphic at right).

Dacor Customer Assurance

Phone: 833-35-ELITE (833-353-5483) USA, Canada
Mon – Fri, 5:00 a.m. to 5:00 p.m. Pacific Time

Website: www.dacor.com/customer-care/contact-us



READ AND SAVE THESE INSTRUCTIONS

All specifications are subject to change without notice. Dacor assumes no liability for changes to specifications.

© 2018 Dacor, all rights reserved.

IMPORTANT SAFETY INSTRUCTIONS

Important Information

- The **Important Safety Instructions** and warnings in this manual cannot cover all possible issues. Use caution and common sense when installing the hood.
- Contact Dacor Customer Assurance about issues you cannot resolve. (See previous page for contact info.)

Safety Symbols and Labels

DANGER

Immediate hazard that **WILL** severely injure or kill.

WARNING

Hazard/unsafe practice that **COULD** severely injure or kill.

CAUTION

Hazard/unsafe practice that **COULD** cause minor personal injury and property damage.

DANGER

To avoid explosion/fire, do not store/use flammable or explosive vapors and liquids (ex: gasoline, alcohol) in/on/near the hood. Keep containers that could explode (ex: aerosol cans) away from the cooking unit and hood.

WARNING

TO REDUCE RISK OF FIRE, ELECTRIC SHOCK, AND PERSONAL INJURY:

- Use the hood only as specified in the provided literature. If you have questions, contact Dacor Customer Assurance.
- Before service/maintenance, turn off power at the service panel and lock the panel. If locking is not an option, securely fasten a prominent warning sign to the panel.
- Installation-related work must be done by qualified person(s) per applicable codes/standards, including fire-rated construction.
- Ample air is needed for proper gas combustion/exhaust up the hood flue to prevent backdraft. Follow the cooking-unit manufacturer's guidelines, also standards such as those published by the Nat'l Fire Protection Association (NFPA); the American Society for Heating, Refrigeration, and Air Conditioning Engineers (ASHRAE); and local authorities.
- Know the location of utilities before breaching a wall or ceiling.
- Always vent exhaust to the outdoors.

CAUTION

The hood is for general cooking ventilation only. Do not vent hazardous/explosive vapors through the hood.

General Safety Precautions

To reduce risk of fire, electric shock, and serious injury/death during installation, follow basic safety precautions, including:

WARNING

- Follow the information in this manual exactly to avoid fire/explosion which may cause property damage and personal injury or death.
- If the hood is damaged when received, contact the dealer immediately; do not install a damaged unit.
- Install the hood per the instructions in this manual and the requirements specified by the cooking-unit manufacturer. Improper installation, adjustment, modification of the unit can cause serious personal injury or property damage, and voids the warranty. Dacor is not financially responsible for property damage, personal injury, and repairs caused by faulty installation.
- The owner shall install/repair/replace hood parts only as specifically instructed in the product literature. A qualified technician shall perform all other service.
- Keep all packaging material away from children.
- Do not use an extension cord or adapter plug.
- The installer shall show the owner the power source so the owner can turn power to the hood on/off as needed.
- Read the User Manual completely before operating the hood.
- Do not tamper with the hood controls.
- If the hood and cooking unit are near a window, avoid window dressings that could blow over the appliances.
- Do not let children/pets near the hood during installation or leave items of interest to children on/around the appliances.
- Minimum distance between cooking surface and hood bottom is 26" (66.0 cm); this distance may increase depending on the cooking unit; see the cooking unit Installation Instructions for specific dimensions.
- Use only metal ducting.

INSTALLATION SPECIFICATIONS

Performance Specifications

All Models

| | |
|-----------------------------|--|
| Blower | 600 CFM* (1 blower); 1200 CFM* (2 blowers) |
| Blower Speeds | 4 |
| Lights | 120 Vac, 7.5W LED |
| Filters | Stainless-steel baffle type (dishwasher safe) |
| Exhaust | 5" (DHD36), 8" (DHD48) |
| Total Connected Load | 120 Vac, 60 Hz (see next table for current draw) |
| Circuit Requirement | 120 Vac, 15A grounded, dedicated circuit, min. |

*At 0 inches static pressure

Individual Models

| Model | Fans | Lights | Filters | Max. Current Draw |
|--------|------|--------|---------|-------------------|
| DHD36S | 1 | 4 | 2 | 4.2 Amp |
| DHD48S | 2 | 6 | 3 | 7.8 Amp |

Electrical Specifications

WARNING

Electrical service to the hood must be installed by a licensed electrician.

The owner shall ensure the hood's electrical connection is made by a licensed electrician. The process, including minimum supply wire size and grounding, must follow local codes and the National Electric code ANSI/NFPA* (or latest revision), a copy of which may be obtained from:

National Fire Protection Association
1 Batterymarch Park
Quincy, Massachusetts 02269-9101

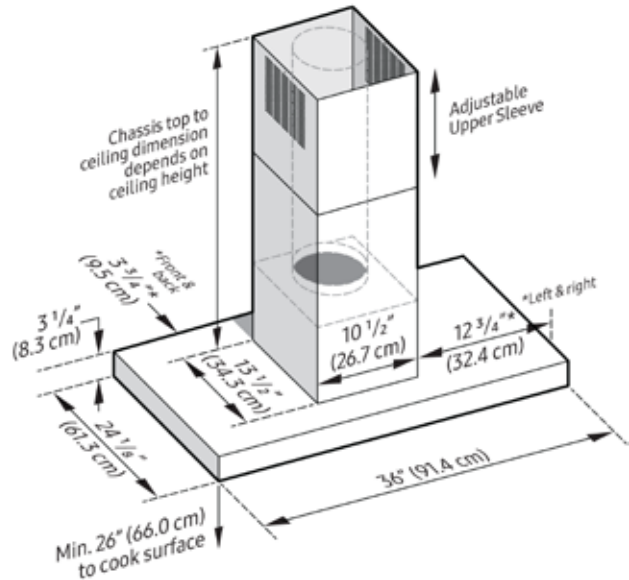
Connect the hood to a junction box supplied by a 120 Vac, 60 Hz dedicated, grounded, 3-wire (hot, neutral, ground) circuit protected by a 15-A circuit breaker or time-delay fuse. Install the junction box at least 17" (43.2 cm) above the bottom of the hood (ex: attached to a ceiling joist).

Product Dimensions

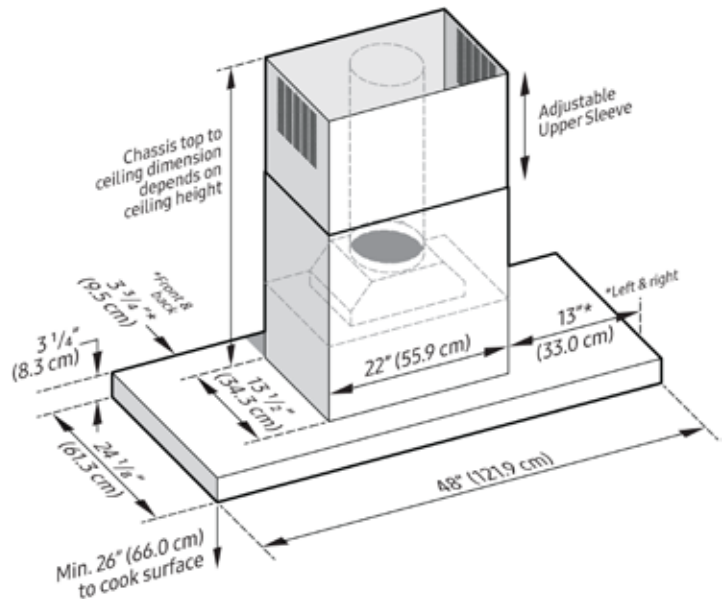
Tolerances: $\pm 1/16"$ (± 1.6 mm), -0 unless otherwise stated

IMPORTANT: The installed hood-bottom-to-cook-surface distance must be at least 26" (66.0 cm). This distance may increase depending on the cooking unit. (See the cooking unit's Installation Instructions for details.)

DHD36



DHD48



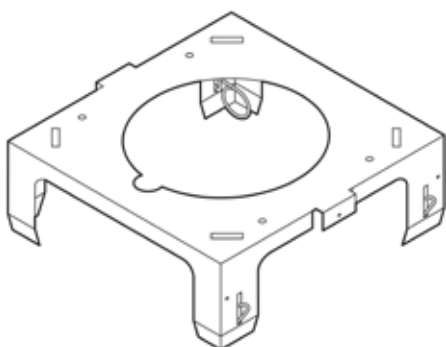
INSTALLATION SPECIFICATIONS

Planning the Location

WARNING

- Observe all governing regulations during planning/installation. Contact the local building department for details.
- To avoid injury and property damage from the hood falling, use only the provided mounting bracket.

- Situate the hood for convenient access, and verify that power can be supplied to the site.
- The selected model must be at least as wide as the cooktop.
- Install the hood and cooking unit so they can be removed for service.
- Minimum dimensions must not be exceeded (see Pg. 2). All dimensions are minimums unless otherwise noted.
- The ceiling plate must be attached directly to ceiling joists or to a reinforced mounting block secured to the joists.



- The mounting bracket must be level and centered directly above the cooking surface.
- Air intake through the hood could create negative air pressure, which must not exceed 0.04 mbar to avoid drawing exhaust from the heat source; thus, the kitchen should be well-ventilated when the hood and cooking unit are on.

Planning the Ducting

WARNING

- To keep combustion byproducts, smoke, and odors out of the home and to improve efficiency, tape all duct joints securely.
- Use only ducting accepted by state, municipal, and local codes.
- Do not install an additional in-line or external blower to increase the length of the duct run. Even small differences in air-flow rates can greatly reduce the hood's ability to draw air.

CAUTION

- To reduce fire risk and to properly exhaust air, always vent exhaust to the outdoors.
- Do not merge/combine the island-hood ducting with that of any other vented appliance. The hood must have its own ducting.

- Local building codes may require makeup air systems with ventilation systems that move air at greater than the specified rate (CFM), which depends on the locale. Consult an HVAC specialist concerning local requirements and to ensure best performance.
- The owner buys all ducting material (incl. screws and duct tape).
- Always plan for the most direct route to the outside.
- The hood exhaust connects to an 8" round duct. You can increase duct size over the course of the run, but to prevent backdraft, never decrease the size. If existing duct work is smaller than 8" in diameter, remove it and replace it with 8" ducting.
- Fasten all ducting joints with sheet-metal screws, and tape all joints with certified silver or duct tape. Support the ducting with sheet-metal screws as needed.
- To prevent backdraft, a damper at the duct outlet may be needed.
- Ensure ducting does not interfere with ceiling/wall supports.

Calculating the Maximum Duct-Run Length

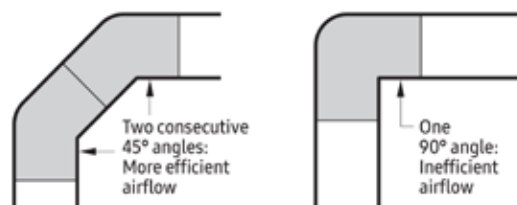
Maximum straight duct length for the hood is 50 ft. To decide the actual maximum run, subtract the equivalent length of each elbow, transition, and cap from 50 ft.

| EQUIVALENT LENGTHS | | | |
|-----------------------------------|----------|--------------------------------------|----------|
| Piece | Subtract | Piece | Subtract |
| 8" 90° elbow | 7 ft. | 10" 90° elbow | 5 ft. |
| 8" 45° elbow | 3 ft. | 10" 45° elbow | 2 ft. |
| 3¼" x 10" to 90° round transition | 25 ft. | 3¼" x 10" to 8"/10" round transition | 4 ft. |
| Roof cap | * | Wall cap w/damper | * |

*Equivalent lengths of roof and wall caps vary with model and configuration. For equivalent length, contact the manufacturer or a qualified HVAC specialist.

Ducting Design Tips

- For transitions/turns, use as few sharp angles as possible. (Two consecutive 45° angles are more efficient than one 90° angle.)



- Keep turns as far from the hood exhaust as possible, and keep as much space between bends as possible.
- For best performance, use round ducting, especially for elbows.
- Try to keep at least 24" of straight duct between elbows.
- Avoid using "S" or "back-to-back" elbows.
- In very cold regions, use thermal breaks (ex: a short section of non-metallic duct) to avoid indoor heat loss. Put the break as close as possible to the outside pass-through point.
- Do not use flexible metal ducting.
- Do not use ducting that is smaller in cross-sectional area than the types recommended above.

INSTALLATION INSTRUCTIONS

Verifying Package Contents

Uncrate the hood, and verify that all parts are present.

- Chassis
- Baffle filters (DHD36: 2 ea.; DHD48: 3 ea.)
- Chimney framework (2 pcs)
- Chimney covers (2 pcs—upper, with grates; lower)
- Ceiling plate
- Mounting hardware (hex nuts, washers: 4 ea.; plastic anchors: 4; 1 1/2" Phillips-head screws: 4; safety screws: 4)
- Stainless-steel cleaner (1 two-oz. bottle)
- Product literature (Installation Instructions, User Manual).

If anything is missing/damaged, contact the dealer immediately. Do not install a damaged/incomplete unit.

Installing the Hood

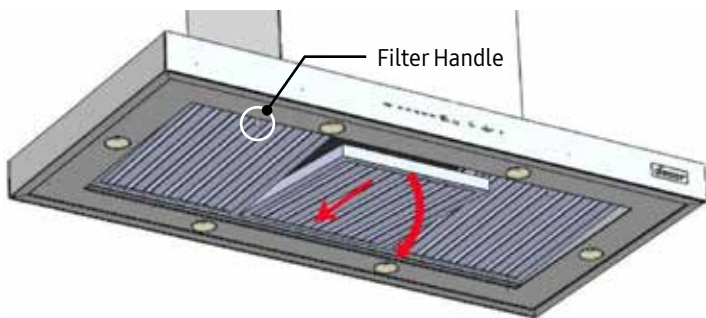
WARNING

- Observe all local codes/ordinances. Contact the local building department for details.
- The owner shall ensure a qualified technician installs the hood as directed in this manual.
- Do not install the hood unless the power supply meets the electrical specifications on Pg. 2.
- At the installation site, verify that no utilities/joists/ducting/trusses are present before cutting/drilling into the ceiling.
- At least two people are needed for safe installation.

Removing the Filters

Before starting the installation, remove the filters.

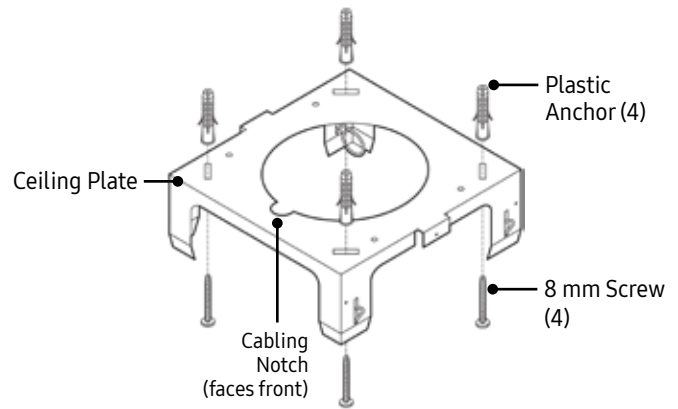
1. Grasp the filter handle, and push rearward.



2. When the front of the filter clears the front slot, tilt it down, then pull it out of the rear slot and away from the hood.

Attaching the Ceiling Plate

1. Holding the ceiling plate in place against the ceiling:
 - a. Trace the center ducting hole (incl. cabling notch) for cutting the hole through which the cabling/ducting will pass.
 - b. Mark where the holes will be drilled for anchoring the ceiling plate to the ceiling.



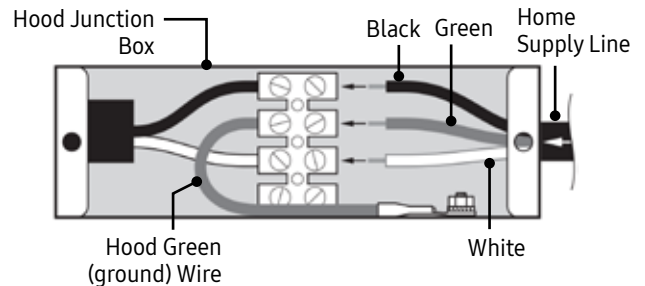
2. Cut the ducting hole, then drill four 8-mm holes at the respective marks, and insert an anchor in each hole.
3. Align the ceiling plate with the ducting hole and anchors, and insert and tighten 4 screws, securing the plate to the ceiling.

Making the Electrical Connections

WARNING

- Before making the electrical connection, ensure the home power supply to the hood is turned off at the source, and that the electrical connections will conform to the requirements on Pg. 3.)
- Do not ground the hood to the neutral (white) power-supply wire but to a separate, proper ground wire installed by a licensed electrician.

1. Run the home-supply cable through the hole in the ceiling down to the hood superstructure.

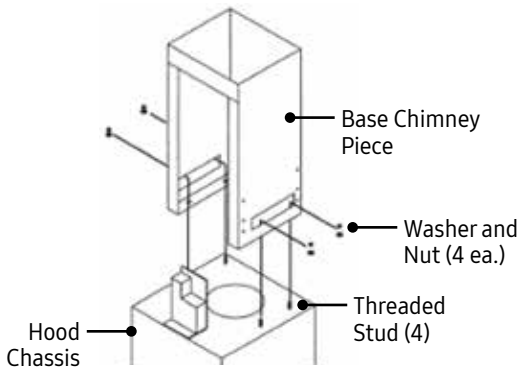


2. Remove the junction-box cover and the knockout on the right side of the junction box, and feed the home power-supply cable through the hole.
3. Connect the neutral (white) power-supply wire to the terminal opposite the hood white wire.
4. Connect the hot (black) power-supply wire to the terminal opposite the hood black wire.
5. Connect the ground (green) power-supply wire to the terminal opposite the hood green wire.
6. Re-install the hood junction-box cover with the two screws.

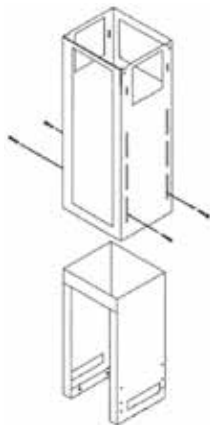
INSTALLATION INSTRUCTIONS

Attaching the Chimney Structure

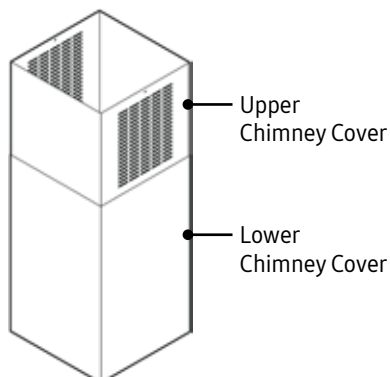
1. Align the 4 screw holes on the base chimney piece with the threaded studs on the chassis superstructure.



2. Place a washer and nut on each stud, and tighten the nuts.
3. (Keeping the cabling within the notch in the ceiling plate) Place a length of ducting over the collar on the fan outlet, and secure the ducting with a hose clamp.
4. Slip the upper chimney piece over the base piece, adjust the height (keeping in mind the cooktop-to-hood minimum distance), and secure the chimney pieces together.

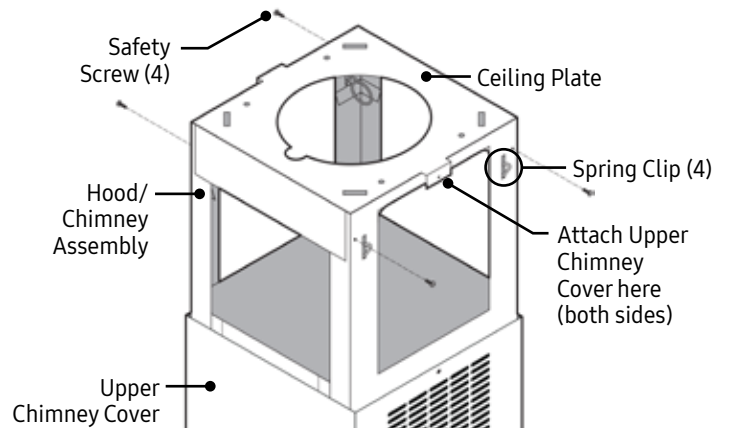


5. Slip the 2 chimney covers over the chimney framework, resting the covers on the hood chassis. (The covers remain loose for the time being.)



Attaching the Hood to the Ceiling

1. Lift the hood chassis (do not lift by the chimney structure) so the 4 spring clips in the ceiling plate engage the slots in the upper chimney piece.



2. Secure the hood/chimney assembly to the ceiling plate with the 4 safety screws (previous graphic).
3. Connect the hood duct to the exhaust hole with duct tape only.
4. Lift the upper chimney cover (previous graphic), and secure it to the ceiling plate with the 2 self-tapping screws. (See Step 8.)
5. Install the filters.
6. Turn on power to the hood at the power source.

INSTALLATION INSTRUCTIONS

Verifying Function

1. Switch on power at the circuit-breaker panel or fuse box.
2. If the control panel is not lit, remove the filters, and turn on the main power switch (behind the filters inside the hood; install the filters.
3. Tap the light key; verify that all lights come on.
4. Tap the light key to turn the lights off.
5. Tap blower-speed increase (+); verify that one light appears on the indicator and that the blower is on low speed.
6. Quickly tap + three times. (Verify that with each tap, the number of lights on the speed indicator increases and that blower speed increases accordingly.)
7. Tap-hold blower-speed decrease (-) until the blower turns off.

If the hood fails to operate properly:

- verify that power is supplied to the hood.
- verify the electrical connections are correct.
- re-verify proper function (Steps 1 – 7).

If the hood still does not work, contact Dacor Customer Assurance: 833-35-ELITE (833-353-5482). Do not try to repair the hood yourself. If you need service, have available the model/serial numbers (see inside front cover) when you call.

Dacor is not financially responsible for correcting problems due to faulty installation.

Installation Checklist

WARNING

The installer should complete this checklist to ensure proper installation, the ultimate responsibility lies with the owner.

- Is the ceiling plate installed as instructed on Pg. 4?
- Is the hood secured to the ceiling plate as instructed on Pg. 5?
- Is the ducting properly installed? Are joints attached with sheet-metal screws and wrapped with duct tape? (See Pg. 3)
- Is the hood wired and grounded as instructed and according to applicable codes? (See Pgs. 2, 4.)
- Are the filters installed as instructed in the User Manual?
- Was proper function verified?
- Was power to the hood turned on at the power source?
- Was the warranty activated online or the warranty card filled out and mailed?

WIRING DIAGRAM

WIRING DIAGRAM

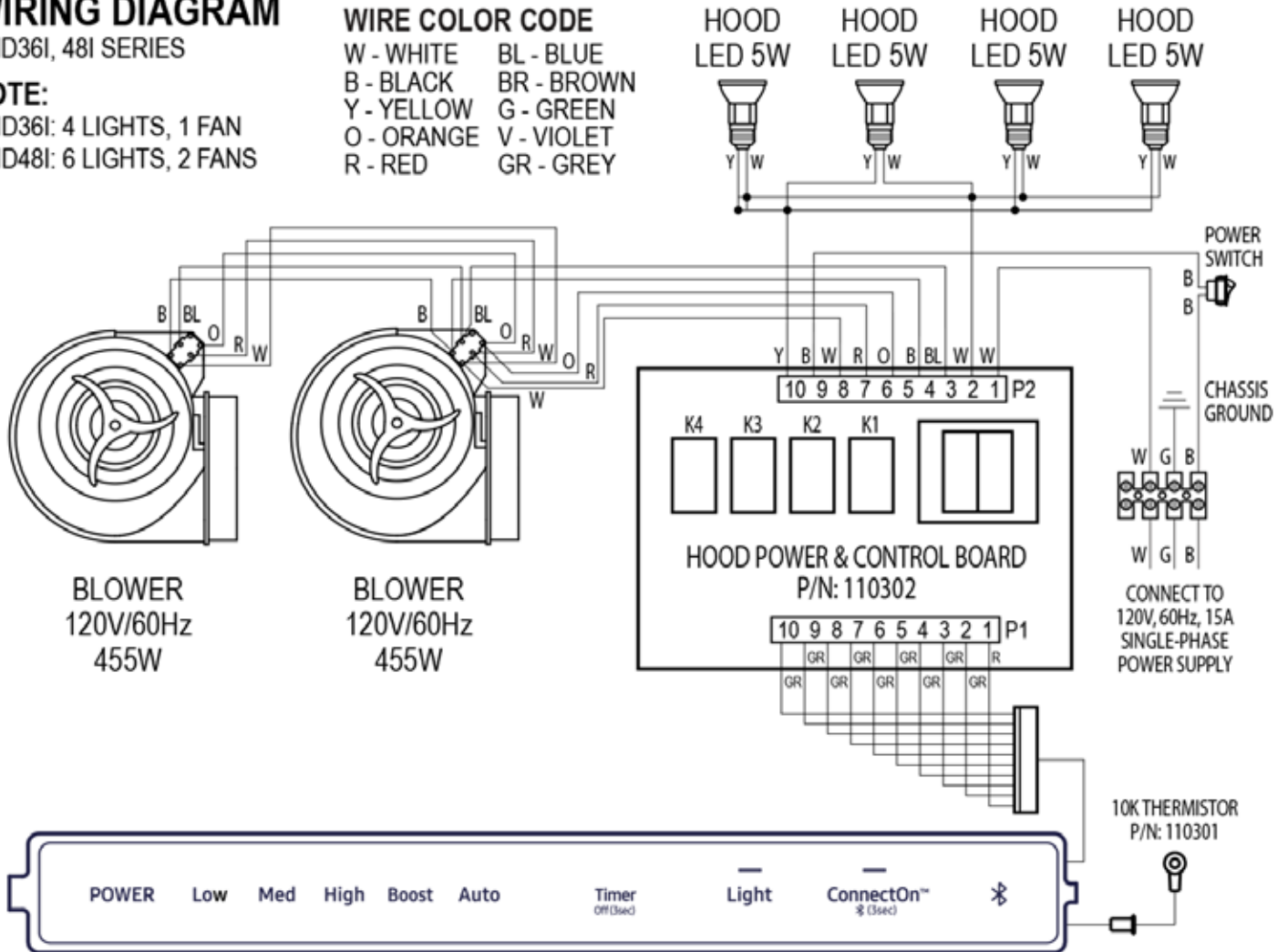
DHD36I, 48I SERIES

NOTE:

DHD36I: 4 LIGHTS, 1 FAN
 DHD48I: 6 LIGHTS, 2 FANS

WIRE COLOR CODE

| | |
|------------|------------|
| W - WHITE | BL - BLUE |
| B - BLACK | BR - BROWN |
| Y - YELLOW | G - GREEN |
| O - ORANGE | V - VIOLET |
| R - RED | GR - GREY |



CAUTION:

DISCONNECT POWER SUPPLY AT FUSE BOX BEFORE SERVICING THIS EQUIPMENT

NOTES

NOTES

dacor

LET THE SHOW BEGIN