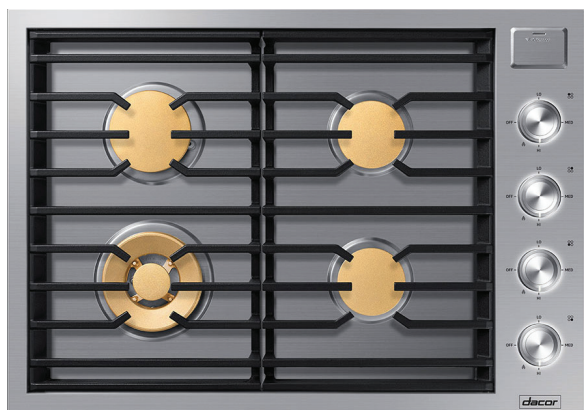




30-INCH GAS COOKTOP

DTG30M95 4F | CONTEMPORARY STYLE



AVAILABLE MODELS

- DTG30M954FS 30" Drop-In Gas Cooktop Stainless Steel Natural Gas / Liquid Propane
- DTG30M954FM 30" Drop-In Gas Cooktop Graphite Stainless Steel Natural Gas / Liquid Propane

FEATURES & BENEFITS

- 4 Dual-Stack Sealed Brass Burners.
- High performance burners at 18.5K BTU.
- Diamond-like carbon finish on spill tray prevents scratches and is easy to clean.
- Automatic burner reignition.
- Illumina™ knobs. Dishwasher safe.
- Continuous grates.
- Auto connect to hood.
- Low profile flush installation.
- SmartThings app enables monitoring of the cooktop from outside the kitchen.

BURNER PERFORMANCE

TOTAL NUMBER OF COOKTOP BURNERS	4 (BRASS)
LEFT FRONT BURNER (BTU)	18,500 (DUAL BURNER)
LEFT REAR BURNER (BTU)	13,000 (STACK BURNER)
RIGHT FRONT BURNER (BTU)	9,500 (STACK BURNER)
RIGHT REAR BURNER (BTU)	9,500 (STACK BURNER)
SEALED BURNERS	YES

CONTROL FEATURES

DISHWASHER SAFE KNOBS	YES
CONTROL LOCATION	RIGHT
LED KNOB BACKLIGHT + INDICATOR	YES
WI FI HOOD CONNECTIVITY	YES
AUTOMATIC REIGNITION	YES

INSTALLATION

GAS TYPE	NATURAL GAS
LP CONVERSION KIT	YES
INSTALLATION TYPE	LOW-PROFILE (FLUSH)

TECHNICAL DETAILS

CIRCUIT BREAKER (A)	15
VOLTS (V)	120
FREQUENCY (HZ)	60
ENERGY SOURCE	GAS AND ELECTRIC

DIMENSIONS & WEIGHT

APPLIANCE DIMENSIONS (H X W X D) (IN.)	6" X 30" X 21"
REQUIRED CUTOUT SIZE (W X D) (IN.)	28 11/16" X 19 3/4"

ACCESSORIES (INCLUDED)

- GRATES
- BRASS BURNER CAPS
- BLACK BURNER CAPS

ACCESSORIES (OPTIONAL)

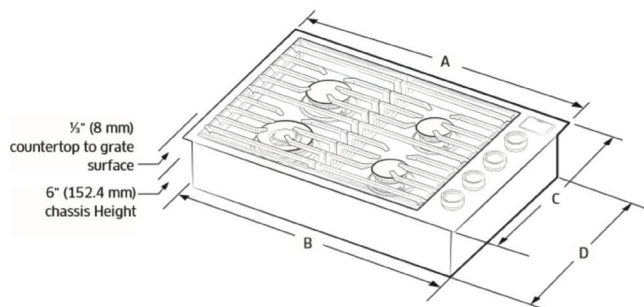
WOK RING	AMWR
----------	------

WARRANTY

LIMITED, PARTS AND LABOR	2 YEARS
--------------------------	---------

dacor 30-INCH GAS COOKTOP

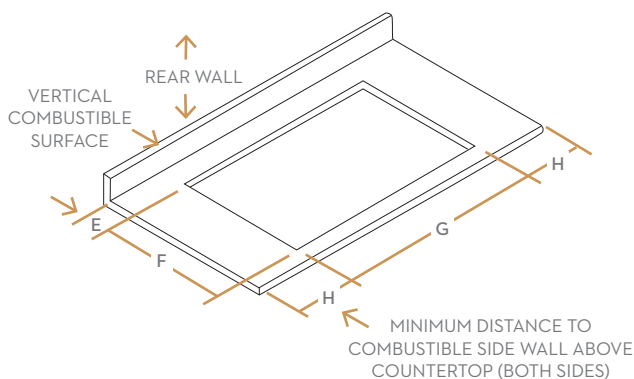
APPLIANCE DIMENSIONS



INSTALLATION CUTOUT DIMENSIONS

30"

E (MIN)	2 7/8" (7.2CM)
F (MIN)	19 3/4" (50.1CM)
G (MIN)	28 11/16" (72.7CM)
H (MIN)	12" (30.4CM)



INSTALLATION CUTOUT DIMENSIONS

30" DOWNDRAFT | DTG30M954F

E (MIN)	3/8" (0.9CM)
F (MIN)	22 1/2" (57.1CM)
G (MIN)	28 11/16" (72.7CM)
H (MIN)	7 1/2" (19.0CM)

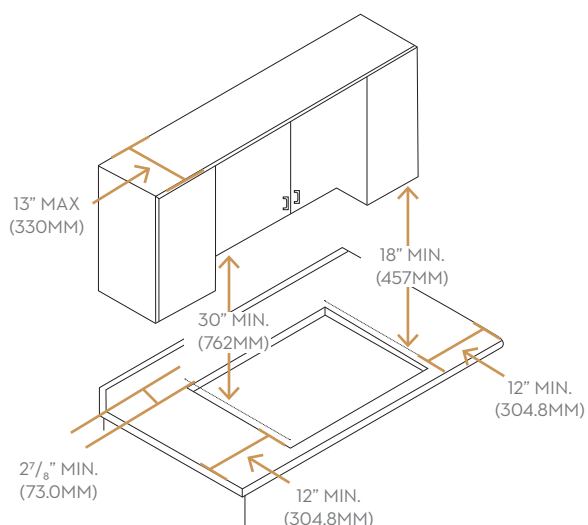
APPLIANCE DIMENSIONS

30"

A (WIDTH)	30" (762MM)
B (CHASSIS WIDTH)	28 1/2" (723MM)
C (DEPTH)	21" (533MM)
D (CHASSIS DEPTH)	19 1/2" (495MM)

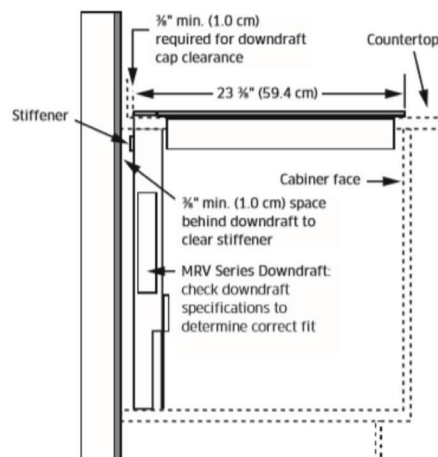
INSTALLATION CUTOUT DIMENSIONS

30"



INSTALLATION CUTOUT DIMENSIONS

30" DOWNDRAFT | DTG30M954F



Cooktop with Downdraft: MRV Series

NOTE: All horizontal clearances must be maintained for a minimum of 18" (457mm) above the cooking surface.