



30-INCH MICROWAVE-IN-A-DRAWER

RNMD30



AVAILABLE MODELS

RNMD30S 30" Heritage Microwave-in-a-Drawer - Stainless Steel, Professional Style Badge

FEATURES & BENEFITS

- Drawer Configuration for under the counter installations.
- Automatic Drawer Opening for easy loading and unloading.
- Beverage Center enables you to restore coffee or tea to a suitable drinking temperature or to make instant coffee or tea.
- Sensor Cooking in three easy steps prepares your selected food choice.
- Multiple Sequence Cooking programs up to 4 automatic cooking sequences, switching from one power level setting to another automatically.
- Keep Warm keeps food warm up to 30 minutes.
- Easy Minute allows you to cook for a minute at 100% by simply touching the Easy Minute key.
- Automatic Start lets you program the microwave to begin cooking automatically at a designated time of day.
- Control Lock prevents unwanted operation, such as by small children, and can be set so that the control panel is deactivated or locked.
- 950 Watts

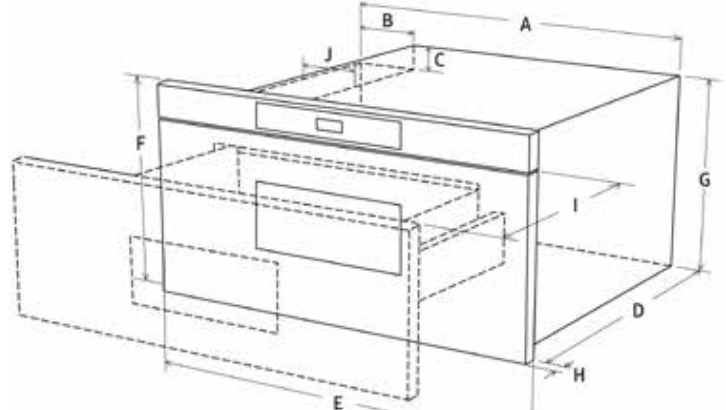
GENERAL PROPERTIES

FINISH	STAINLESS STEEL
INTERIOR CAPACITY:	1.2 CU. FT.

ACCESSORIES

FLUSH INSTALLATION KIT	ARNMDF30
------------------------	----------

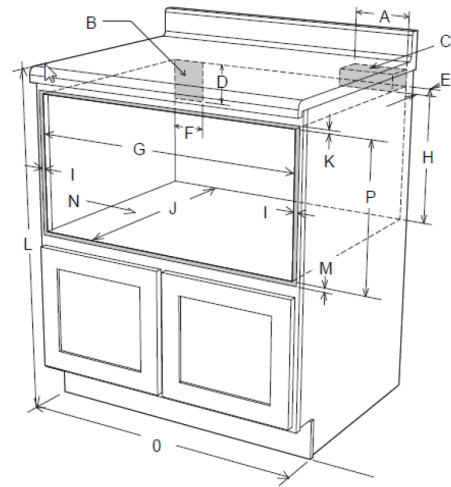
PRODUCT DIMENSIONS



A.	21 5/8"	F.	15 7/8"
B.	4 11/16"	G.	14 19/32"
C.	1 3/4"	H.	1 9/64" door thickness
D.	21 7/8"	I.	15 1/4" auto drawer opening
E.	30"	J.	4"

STANDARD INSTALL

Please see installation instructions for flush installation cutout dimensions.



A.	6"	I.	Allow 23 3/32" minimum overlap
B.	Power outlet location	J.	23 1/2" minimum depth
C.	Anti-tip block	K.	Allow 3/16" minimum overlap
D.	5"	L.	36" nominal countertop height Allow
E.	3 1/2"	M.	1/8" minimum overlap
F.	4"	N.	Floor must support 100 lbs. minimum
G.	28 7/16" opening	O.	30" cabinet minimum
H.	14 13/16" to bottom of anti-tip block	P.	15 9/16" opening

NOTE: Open-top cabinet shown

*All tolerances: +/- 1/16 (+/-1.6MM) unless otherwise stated.